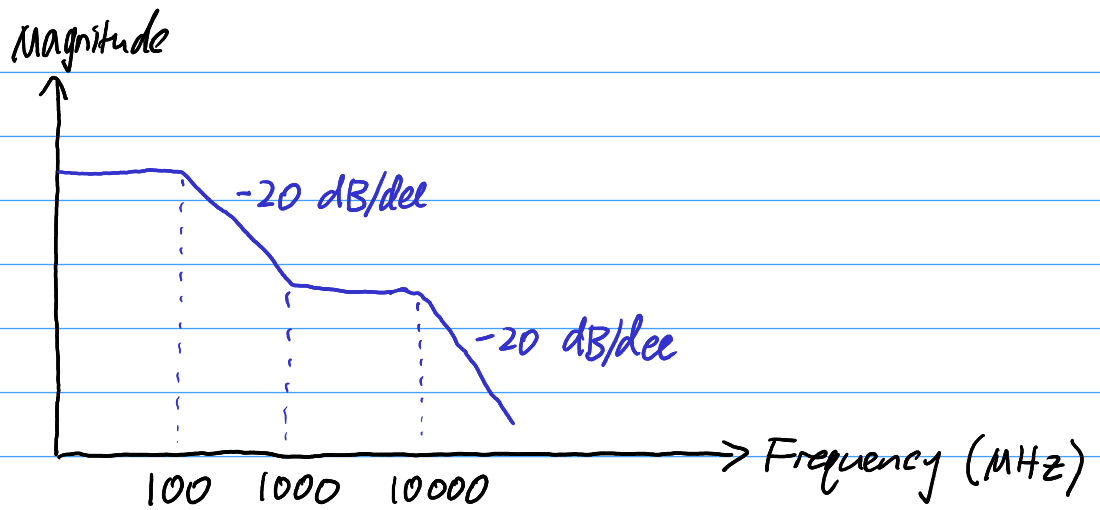
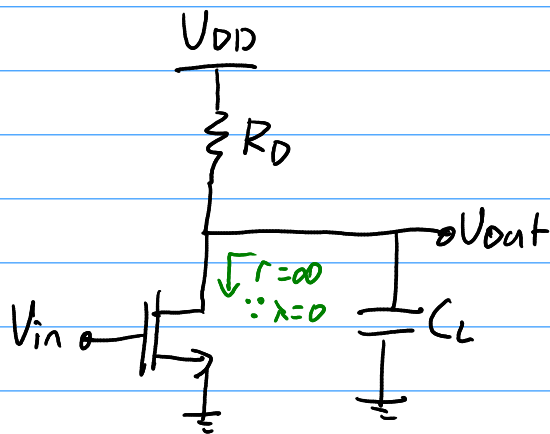


11.6



11.9 Consider each stage.



V_{out} pole at $\omega_p = \frac{1}{R_D C_L}$

Also DC gain is $-g_m R_D$
(For 2 stages, multiply each)

$$\therefore H(s) = \frac{(g_m R_D)^2}{\left(1 + \frac{s}{\omega_p}\right)^2}$$

Note the bias network is not shown!

